



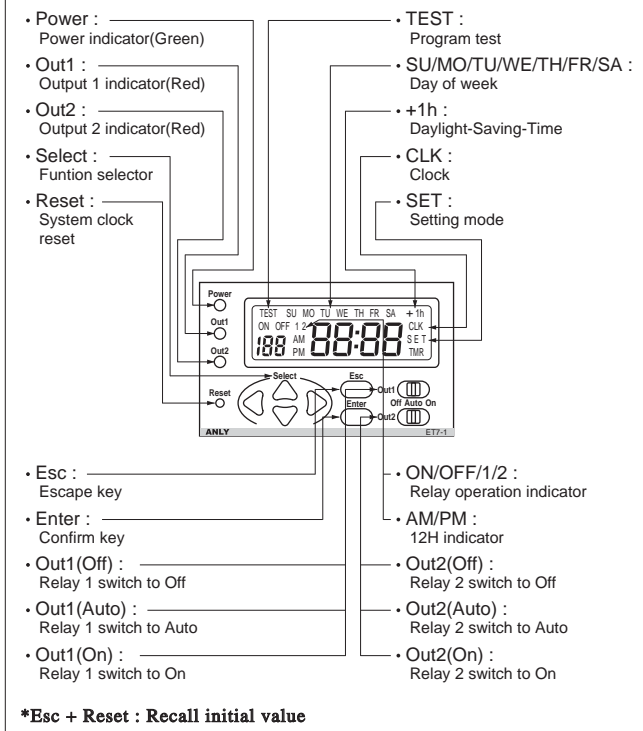
# ET7-1 TWIN OUTPUT WEEKLY PROGRAMMABLE TIMER User's Manual

## RESTRICTIONS ON USE

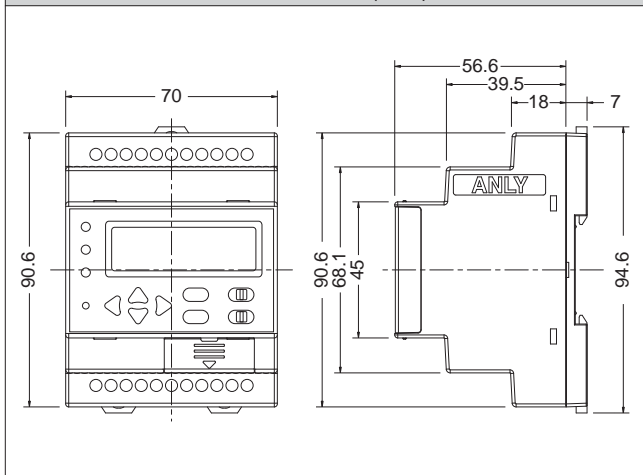
When using this product in applications that require particular safety or when using this product in important facilities, please pay attention to the safety of the overall system and equipment. Install fail-safe mechanisms, perform redundancy checks and periodic inspections and adopt other appropriate safety measures when it is necessary. This product is rated at Class II □.

SPECIFICATIONS	
Operating voltage	AC/DC : 100 - 240V
Allowable operating voltage range	85 ~ 110% of rated operating voltage
Rated frequency	50 / 60 Hz
Contact rating	240VAC 7A(N.O.), 240VAC 5A(N.C.) Resistive load
Status Indicator	POWER - Green, Out1/Out2 - Green
Power consumption	Approx. 5.6VA (at 220VAC)
Life	Mechanical : 5,000,000 times / Electrical : 100,000 times
Ambient temperature	-10 ~ +50 °C
Ambient humidity	MAX 65% RH
Altitude	MAX 2000m
Weight	Approx. 200g

## BUTTON, SWITCH and LCD FUNCTIONS



## DIMENSION(mm)



## SAFETY PRECAUTION

- WARNING** Warnings are indicated when mishandling this controller might result in death or serious injury to user.
- CAUTION** Cautions are indicated when mishandling this controller might result in minor injury to the user, or only physical damage to the timer.

## WARNING

- Note this incorrect wiring of this controller can damage it and lead to other hazards. Make sure the controller has been correctly wired before turning the power ON.
- Before wiring, or removing / mounting the controller, be sure to turn the power OFF. Failure to do so might cause electric shock.
- Do not touch electrically charged parts such as the power terminals. Doing so might cause electric shock.
- Do not disassemble the controller. Doing so might cause electric shock or faulty operation.

## CAUTION

- Use the controller within the operating ranges recommended in the specification (temperature, humidity, voltage, shock, mounting direction, atmosphere and etc.). Failure to do so might cause fire or faulty operation.
- Firmly tighten the terminal screws. Insufficient tightening of terminal screws might cause electric shock or fire.
- Press reset before use after turning the battery on or replace the battery.

## OPERATING FLOWCHART

