



ANLY COUNTER

H7E TOTAL COUNTER / TIME COUNTER



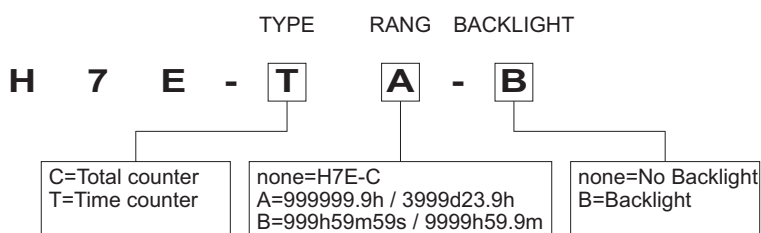
CHARACTERISTICS :

- H7E-C is a 8-digit total counter
- H7E-C can switch between 30Hz and 1KHz signal via DIP switch
- H7E-T is a 7-digit time counter
- H7E-T can switch between 2 models via DIP switch
H7E-TA: 999999.9h/3999d23.9h
H7E-TB: 999h59m59s/9999h59.9m
- Key-protect switch to prevent faulty reset key operation
- Backlight option (requires AC/DC 24V power supply)
- 60 mm short body design

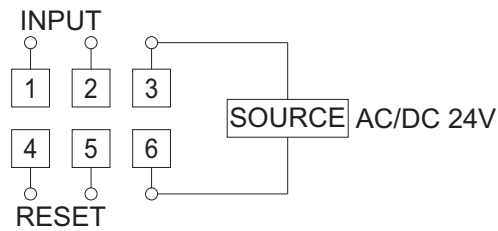
SPECIFICATION :

Operating voltage	DC(V): 3
Backlight operating voltage	AC/DC(V): 24
Allowable operating voltage range	85~110% of rated operating voltage
Rated frequency	50 / 60 Hz
Power consumption	Approx. 0.8W/2.4VA
Battery type	CR123A
Battery life	H7E-C: 7 years min H7E-T: 10 years min
Ambient temperature	+10 ~ +50°C
Ambient humidity	MAX 85%RH
Weight	Approximatly 62g

TYPE SELECTION :

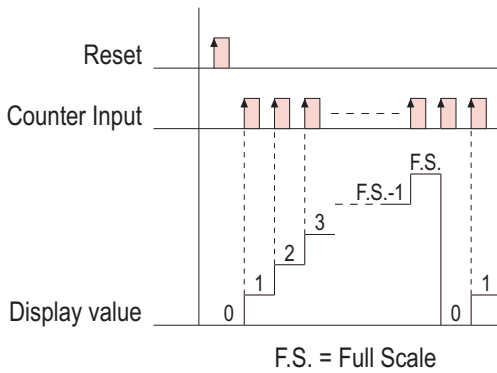


CONNECTION :

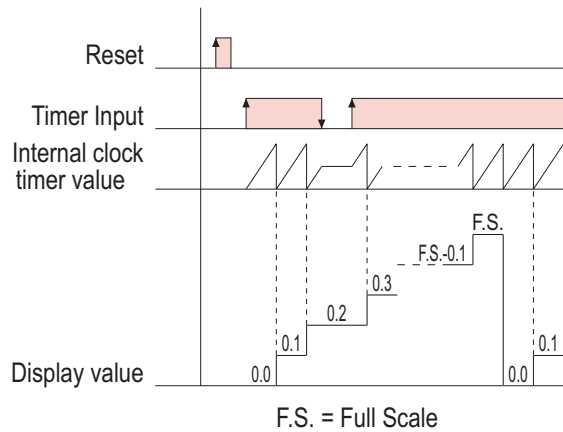


TIMING CHART :

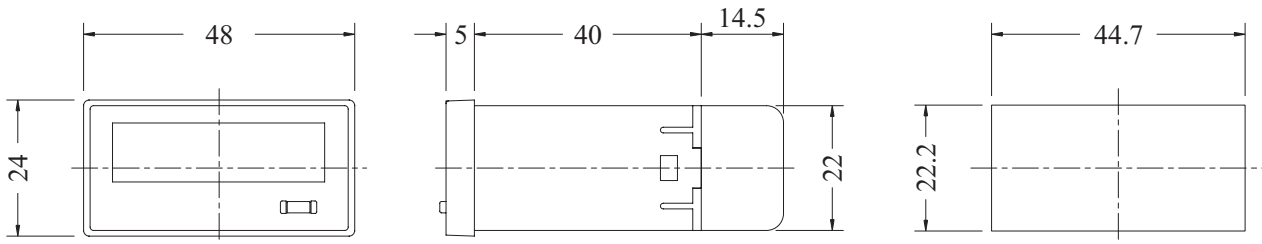
H7E-C



H7E-T



DIMENSIONS : (mm)



ANLY ELECTRONICS CO., LTD.

<http://www.anly.com.tw>

TAIWAN MAIN OFFICE : ANLY ELECTRONICS CO., LTD.

No. 19, Lane 202, Fushou St., Shinjuang City, Taipei, Taiwan 242
 TEL: +886-2-2996-3202 FAX: +886-2-2996-2017

MALAYSIA BRANCH : JUSTY ELECTRONICS (M) SDN, BHD.

No. 1, Jalan 6/89B, Kawasan Perindustrian Trisegi, Batu 3 1/2 Off Jalan Sungei Besi, 57100 Kuala Lumpur, Malaysia
 TEL: +60-3-7983-5758 FAX: +60-3-7981-5052

HONG KONG BRANCH : ANLY ELECTRONICS (HK) LTD.

Flat K, 13/F, Edward Mansion, 141 Prince Edward Road W., Kowloon, Hong Kong
 TEL: +852-2397-2505 FAX: +852-2397-6080

SHANGHAI BRANCH : ANLY TECHNOLOGY (WUXI) CO., LTD.

Room 13G, No.831, Xinzha Rd., Jingan District, Shanghai, China 200041
 TEL: +86-21-6218-3300 FAX: +86-21-6217-5911