



ANLY TIMER

ASY-C TIME COUNTER



CHARACTERISTIC :

- Crystal oscillator for extreme accuracy
- Large (0.61") 7-segment-display for clear display

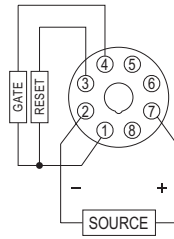
SPECIFICATION :

Operating voltage	DC(V): 12, 24 AC(V): 12, 24, 110, 220, 240
Allowable operating voltage range	85~110% of rated operating voltage
Rated frequency	50 / 60 Hz
Contact rating	- - - -
Reset time	MAX 0.3S
Power consumption	Approx. 3VA
Life	Electrical: 100,000 times
Ambient temperature	-10 ~ +50°C
Ambient humidity	MAX 85%RH
Weight	Approx. 220g

TYPE SELECTION :

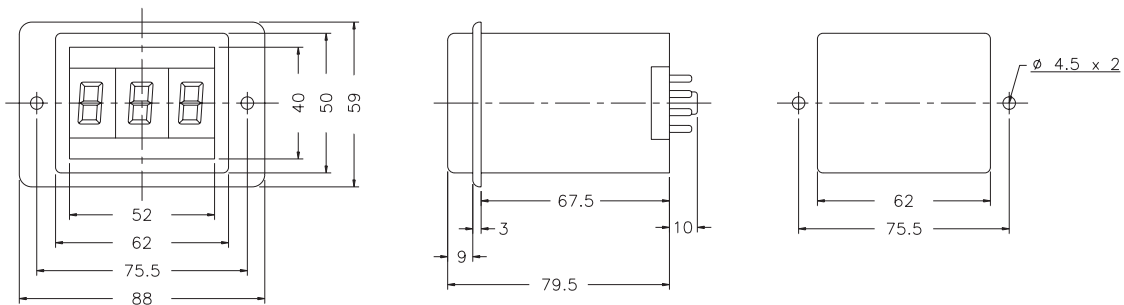
Type	ASY-C
Output contact	- - - -
Time range	99.9S , 999S , 99.9M or 999M

CONNECTION :



DIMENSIONS : (mm)

Y type(Flush Mounting): Using US-08 Socket or P3G-08 Socket



ANLY ELECTRONICS CO., LTD.

<http://www.anly.com.tw>

TAIWAN MAIN OFFICE : ANLY ELECTRONICS CO., LTD.

No.19, Lane 202, Fushou St., Shinjuang City, Taipei, Taiwan 242
TEL: +886-2-2996-3202 FAX: +886-2-2996-2017

MALAYSIA BRANCH : JUSTY ELECTRONICS (M) SDN, BHD.

No.1, Jalan 6/89B, Kawasan Perindustrian Trisegi, Batu 3 1/2 Off Jalan Sungei Besi, 57100 Kuala Lumpur, Malaysia
TEL: +60-3-7983-5758 FAX: +60-3-7981-5052

HONG KONG BRANCH : ANLY ELECTRONICS (HK) LTD.

Flat K, 13/F, Edward Mansion, 141 Prince Edward Road W., Kowloon, Hong Kong
TEL: +852-2397-2505 FAX: +852-2397-6080

SHANGHAI BRANCH : ANLY TECHNOLOGY (WUXI) CO., LTD.

Room 13G, No.831, Xinzha Rd., Jingan District, Shanghai, China 200041
TEL: +86-21-6218-3300 FAX: +86-21-6217-5911

NO. ASYC-G-A