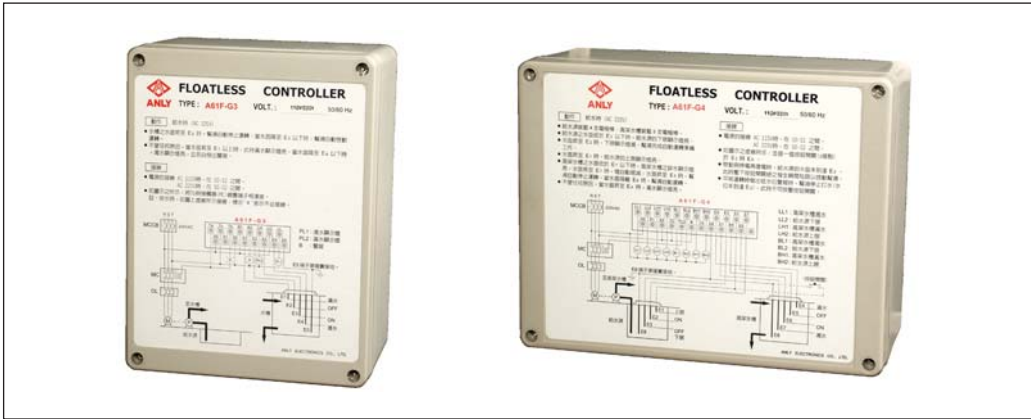




# ANLY FLOATLESS RELAY

## A61F-G3 / A61F-G4 FLOATLESS CONTROLLER



### OPERATIONS & CONNECTIONS :

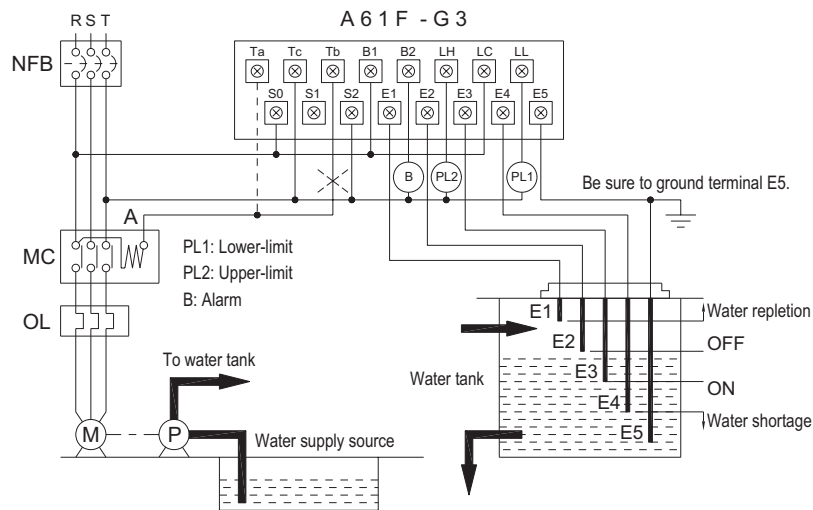
#### A61F-G3

##### Operations Water Supply (AC220V)

- The pump stops when the liquid level in the water tank reaches E2 (high) and the pump resumes operation when the liquid level drops below E3 (medium).
- When the liquid level in the water tank reaches E1 (high), the upper-limit indicator is lit, and alarm is sounded. When the liquid level in the water tank drops below E4 (low), the lower limit indicator is lit, and alarm is sounded.

##### Connections

- Power supply volatge  
AC 110V, connect the power to S0 and S1.  
AC 220V, connect the power to S0 and S2.
- Water supply - Connect electromagnetic switch coil terminal A to Tb, as shown below.
- Water drainage - Connect electromagnetic switch coil terminal A to Ta, as shown below.



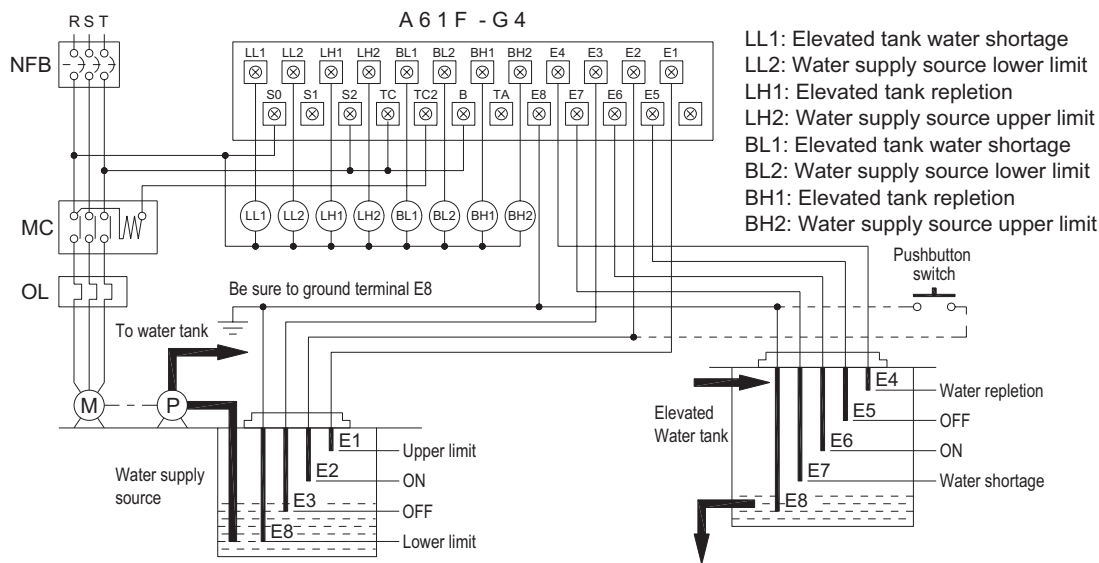
## A61F-G4

### Operations Water Supply (AC220V)

- The lower-limit indicator lamp for the water supply source remains lit while water source level is below E3.
- When the water source level rises to E2, the lower-limit indicator goes out and the pump becomes ready for operation.
- When the water source level reaches E1, the upper-limit indicator is lit.
- The water-shortage indicator for the elevated tank remains lit while the water level in the elevated tank is below E7. The indicator lamp goes out when the water level rises to E7. The pump stops when the water level reaches E5 and the pump starts when the water level drops below E6.
- If the water source level reaches E4 for any reason, the tank repletion indicator lamp for the elevated tank is lit.

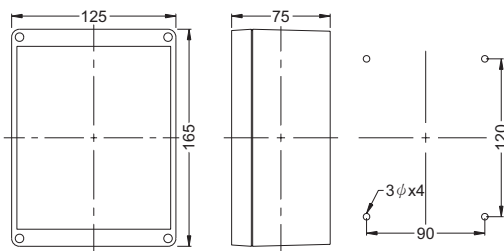
### Connections

- Power supply voltage  
AC 110V, connect the power to S0 and S1.  
AC 220V, connect the power to S0 and S2.
- Install a pushbutton switch between E2 and E8 as shown by the dotted line on the right.
- To start the pump or to recover from a power failure, if the water source level has not yet reached E2, depress the pushbutton switch to start the pump by momentarily short-circuiting E2 and E8.
- When the pump stops during a normal operation subsequent to an alarm issued for a low water source level (water level has not reached E3), do not depress the pushbutton switch.

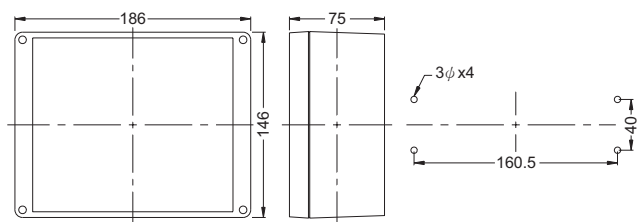


## DIMENSIONS : (mm)

### A61F-G3



### A61F-G4



## ONLY ELECTRONICS CO., LTD.

<http://www.ONLY.com.tw>

### TAIWAN MAIN OFFICE : ONLY ELECTRONICS CO., LTD.

No.19, Lane 202, Fushou St., Shinjuang City, Taipei, Taiwan 242  
TEL: +886-2-2996-3202 FAX: +886-2-2996-2017

### MALAYSIA BRANCH : JUSTY ELECTRONICS (M) SDN, BHD.

No.1, Jalan 6/89B, Kawasan Perindustrian Trisegi, Batu 3 1/2 Off Jalan Sungei Besi, 57100 Kuala Lumpur, Malaysia  
TEL: +60-3-7983-5758 FAX: +60-3-7981-5052

### HONG KONG BRANCH : ONLY ELECTRONICS (HK) LTD.

Flat K, 13/F, Edward Mansion, 141 Prince Edward Road W., Kowloon, Hong Kong  
TEL: +852-2397-2505 FAX: +852-2397-6080

### SHANGHAI BRANCH : ONLY TECHNOLOGY (WUXI) CO., LTD.

Room 13G, No.831, Xinzha Rd., Jingan District, Shanghai, China 200041  
TEL: +86-21-6218-3300 FAX: +86-21-6217-5911

NO. A61FG3-G-A